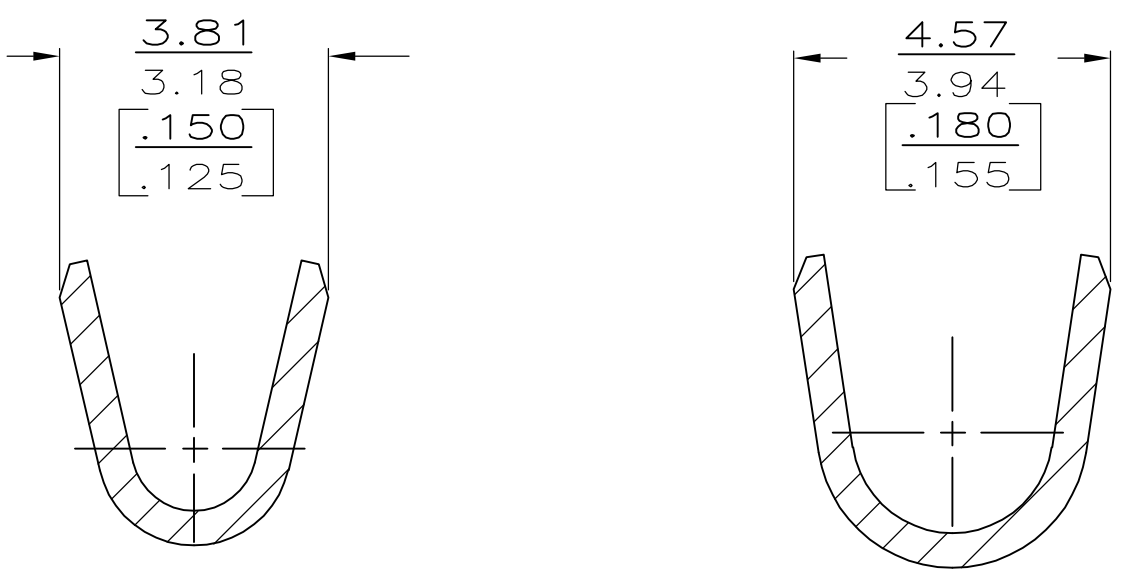
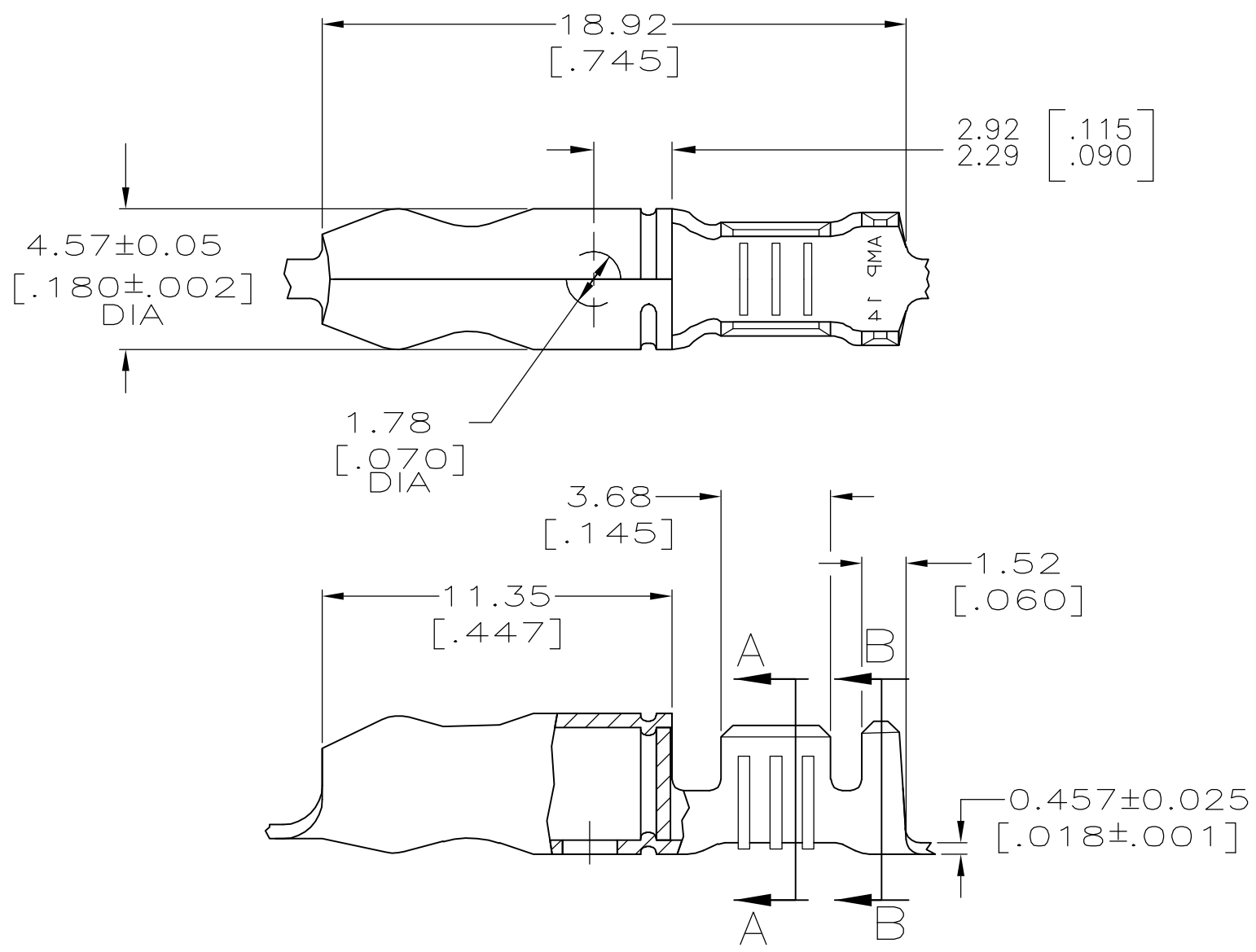


THIS DRAWING IS UNPUBLISHED. RELEASED FOR PUBLICATION
 © COPYRIGHT BY TYCO ELECTRONICS CORPORATION. ALL RIGHTS RESERVED.

LOC	DIST	REVISIONS					
AF	50	P	LTR	DESCRIPTION	DATE	DWN	APVD
			R1	REVISED PER ECR-06028057	03JAN07	MF	DD



SECTION A-A
SCALE 10:1

SECTION B-B
SCALE 10:1

- 1 CONTINUOUS STRIP ON REEL.
- △2 0.002032 [.000080] MIN TIN PLATE.
- △3 0.002032 [.000080] MIN TIN PLATE OVER 0.00127 [.000050] MIN NICKEL UNDERPLATE.
- △4 WITH INTERLEAVING PAPER
- △5 0.00508 [.000200] MIN SILVER PLATE OVER 0.00127 [.000050] MIN NICKEL PLATE
- △6 0.000762 [.000030] MIN GOLD OVER 0.00127 [.000050] MIN NICKEL UNDERPLATE.
- 7 WIRE SIZE IS [#18-#14] AWG
- 8 INSULATION RANGE IS 2.29-3.18 [.090-.125] DIA
- △9 PRELIMINARY - NOT FOR PRODUCTION

△5	081 BRASS	△9	60793-7
△6	081 BRASS	△9	60793-6
△2	081 BERYLLIUM COPPER	△9	60793-5 △4
△2	081 BRASS		60793-4
△3	081 BRASS		60793-3
△2	081 BRASS		60793-1
FINISH	MATERIAL	PART NUMBER	

THIS DRAWING IS A CONTROLLED DOCUMENT.		DWN 11/NOV/96 PHILLIP M FORTNEY	Tyco Electronics Corporation Harrisburg, Pa 17105-3608			
DIMENSIONS: mm [INCHES]		CHK 11/NOV/96 JEFF R RUTH				
TOLERANCES UNLESS OTHERWISE SPECIFIED:		APVD 11/NOV/96 GARY YETTER	NAME SHUR PLUG, 4.57 [.180] DIA			
0 PLC ± - 1 PLC ± - 2 PLC ± 0.25 [.010] 3 PLC ± - 4 PLC ± - ANGLES ± -		PRODUCT SPEC -	APPLICATION SPEC -			
MATERIAL SEE TABLE	FINISH SEE TABLE	WEIGHT -	SIZE A3	CAGE CODE 00779	DRAWING NO C-60793	RESTRICTED TO -
CUSTOMER DRAWING			SCALE 5:1	SHEET 1 OF 1	REV R1	